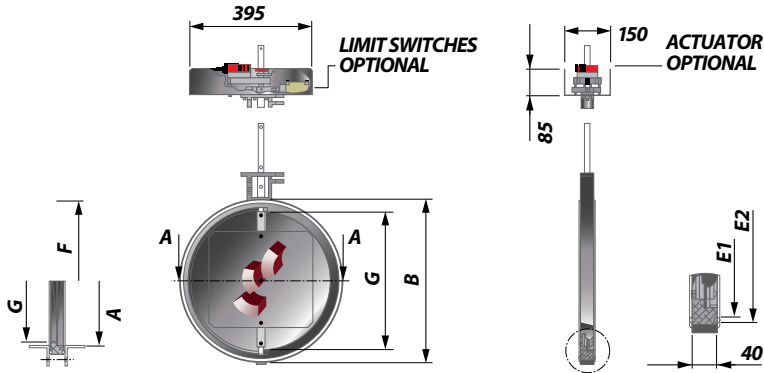


VALVES



TYPE AV10



Article No.	Size (inch)	NB (mm)	Pipe (mm)	A (mm)	B (mm)	E1 (mm)	E2 (mm)	F (mm)	G (mm)
211000060171	8	200	219.1	171	225	202	220	165	147
211000060221	10	250	273.0	221	275	252	270	215	197
211000060270	12	300	323.9	270	325	302	320	265	247
211000060321	14	350	355.6	321	425	352	370	315	297
211000060371	16	400	406.4	371	475	402	420	365	347
211000060471	20	500	508.0	471	525	502	520	465	447
211000060571	24	600	609.6	571	625	625	620	565	547
211000060671	28	700	711.2	671	725	702	720	665	647



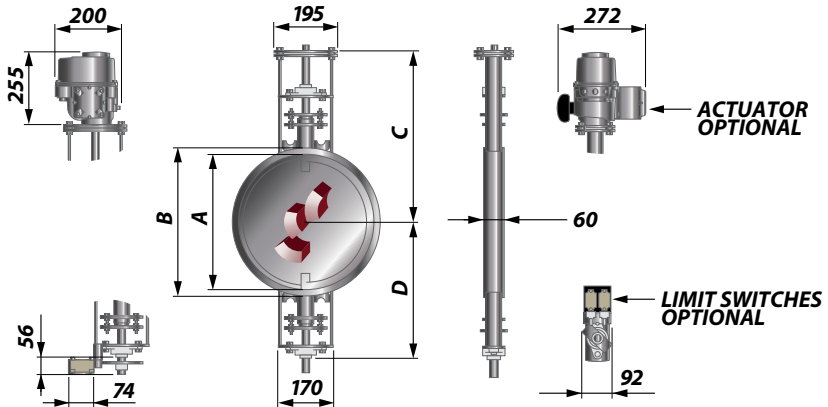
CHARACTERISTICS

Material Valves type AV10 are produced out of Steel 37-2 (S235JRG2)

Temperature Maximum allowable temperature is 600°C

Custom Made Axces Valves are also manufactured based on specific dimensions or client's requirements

TYPE AV25



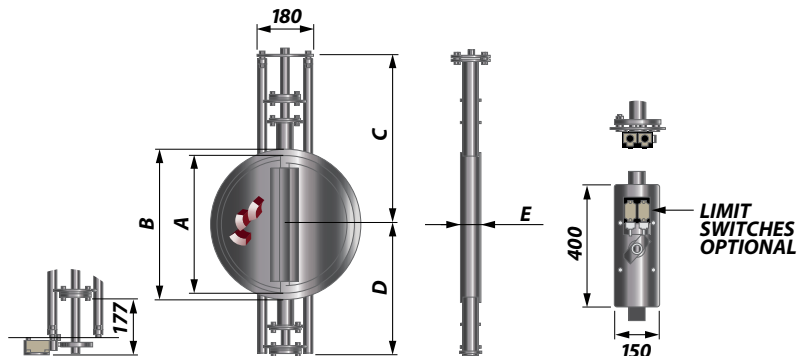
Article No.	Size (inch)	NB (mm)	Pipe (mm)	A (mm)	B (mm)	C (mm)	D (mm)
210100060080	8	200	219.1	212	242	406	304
210100060100	10	250	273.0	288	318	453	349
210100060120	12	300	323.9	388	368	480	377
210100060140	14	350	355.6	350	390	492	402
210100060160	16	400	406.4	420	460	530	425
210100060180	18	450	457.2	450	490	541	442
210100060200	20	500	508.0	500	540	572	468
210100060240	24	600	609.6	600	640	623	520
210100060280	28	700	711.2	710	750	680	576
210100060320	32	800	812.8	800	840	724	622
210100060360	36	900	914.4	900	940	777	673
210100060400	40	1000	1016.0	1000	1040	827	723



CHARACTERISTICS

- Material** Valves type AV25 are produced out of Steel 37-2 (S235JRG2)
- Temperature** Maximum allowable temperature is 600°C
- Custom Made** Axces Valves are also manufactured based on specific dimensions or client's requirements

TYPE AV30



Article No.	Size (inch)	NB (mm)	Pipe (mm)	A (mm)	B (mm)	C (mm)	D (mm)	E (mm)
2102000001122	4	100	114.3	122	160	320	198	50
2102000002112	6	150	168.3	158	192	279	157	50
2102000002888	8	200	219.1	212	242	361	239	50
2102000003338	10	250	273.0	288	318	469	347	60
2102000003350	12	300	323.9	338	368	494	372	60
2102000004420	14	350	355.6	350	390	505	383	60
2102000004450	16	400	406.4	420	460	543	421	60
2102000001158	18	450	457.2	450	490	555	433	60
2102000005000	20	500	508.0	500	540	580	458	60
2102000006000	24	600	609.6	600	640	730	608	80
2102000007110	28	700	711.2	710	750	758	663	80
2102000008000	32	800	812.8	800	840	830	708	80
2102000009000	36	900	914.4	900	940	880	758	80
2102000010000	40	1000	1016.0	1000	1040	990	868	80



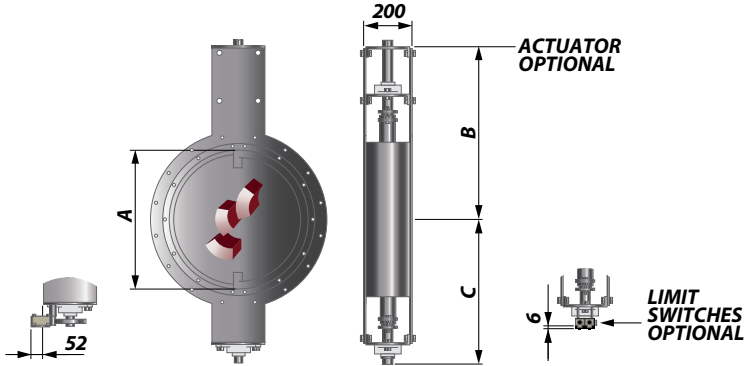
CHARACTERISTICS

Material Valves type AV30 are produced out of Steel 37-2 (S235JRG2)

Temperature Maximum allowable temperature is 600°C

Custom Made Axces Valves are also manufactured based on specific dimensions or client's requirements

TYPE AV40



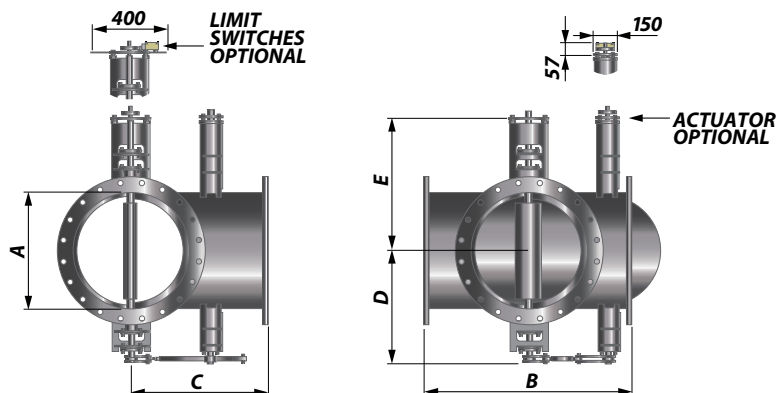
Article No.	Size (inch)	NB (mm)	Pipe (mm)	A (mm)	B (mm)	C (mm)
210030000213	8	200	219.1	213	407	355
210030000248	10	250	273.0	248	427	376
210030000319	12	300	323.9	319	464	420
210030000350	14	350	355.6	350	480	448
210030000400	16	400	406.4	400	504	470
210030000450	18	450	457.2	450	530	490
210030000509	20	500	508.0	509	555	515
210030000600	24	600	609.6	600	706	590
210030000700	28	700	711.2	700	755	680
210030000800	32	800	812.8	800	800	690
210030000900	36	900	914.4	900	850	740
210030001000	40	1000	1016.0	1000	905	790
210030001200	48	1200	1220.0	1200	1000	890



CHARACTERISTICS

- Material** Valves type AV40 are produced out of Steel 37-2 (S235JRG2)
- Temperature** Maximum allowable temperature is 600°C
- Custom Made** Axces Valves are also manufactured based on specific dimensions or client's requirements

TYPE AV50



Article No.	Size (inch)	NB (mm)	Pipe (mm)	A (mm)	B (mm)	C (mm)	D (mm)	E (mm)
210000500213	8	200	219.1	213	400	200	407	355
210000500213	10	250	273.0	248	500	250	427	367
210000500319	12	300	323.9	319	600	300	464	420
210000500350	14	350	355.6	350	700	350	480	448
210000500400	16	400	406.4	400	800	400	504	470
210000500450	18	450	457.2	450	900	450	530	490
210000500509	20	500	508.0	509	1000	500	555	515
210000500600	24	600	609.6	600	1200	600	706	590
210000500700	28	700	711.2	700	1400	700	755	680
210000500900	32	800	812.8	800	1600	800	800	690
210000500900	36	900	914.4	900	1800	900	850	740
210000501000	40	1000	1016.0	1000	2000	1000	905	790
210000501200	48	1200	1220.0	1200	2400	1200	1000	890



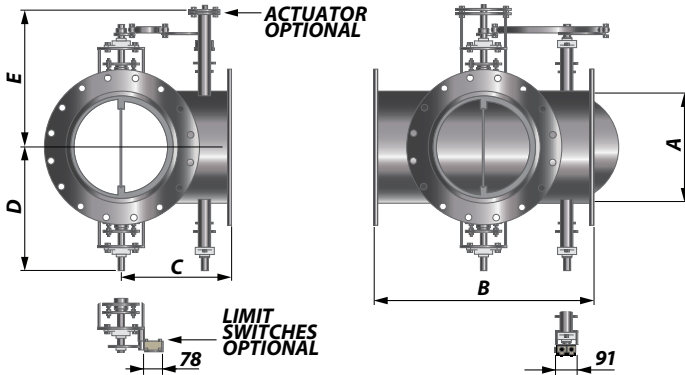
CHARACTERISTICS

Material Valves type AV50 are produced out of Steel 37-2 (S235JRG2)

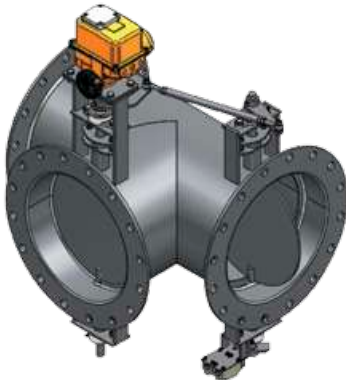
Temperature Maximum allowable temperature is 600°C

Custom Made Axces Valves are also manufactured based on specific dimensions or client's requirements

TYPE AV60



Article No.	Size (inch)	NB (mm)	Pipe (mm)	A (mm)	B (mm)	C (mm)	D (mm)	E (mm)
210000500158	6	150	168.3	158	300	200	193	196
210000500213	8	200	219.1	213	400	225	335	407
210000500213	10	250	273.0	248	500	250	347	427
210000500319	12	300	323.9	319	600	300	400	464
210000500350	14	350	355.6	350	700	350	428	480
210000500400	16	400	406.4	400	800	400	450	504
210000500450	18	450	457.2	450	900	450	470	530
210000500509	20	500	508.0	509	1000	500	495	555
210000500600	24	600	609.6	600	1200	600	570	706
210000500700	28	700	711.2	700	1400	700	660	755
210000500900	32	800	812.8	800	1600	800	670	800
210000500900	36	900	914.4	900	1800	900	720	850
210000501000	40	1000	1016.0	1000	2000	1000	770	905
210000501200	48	1200	1220.0	1200	2400	1200	870	1000



CHARACTERISTICS

- Material** Valves type AV60 are produced out of Steel 37-2 (S235JRG2)
- Temperature** Maximum allowable temperature is 600°C
- Custom Made** Axces Valves are also manufactured based on specific dimensions or client's requirements

AXCES EXHAUST VALVES