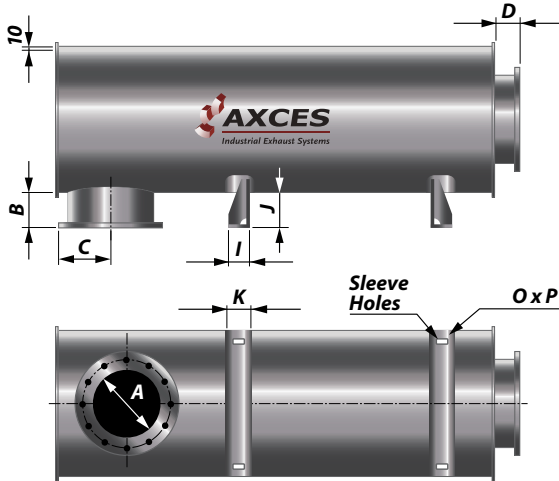




SUPPORTS



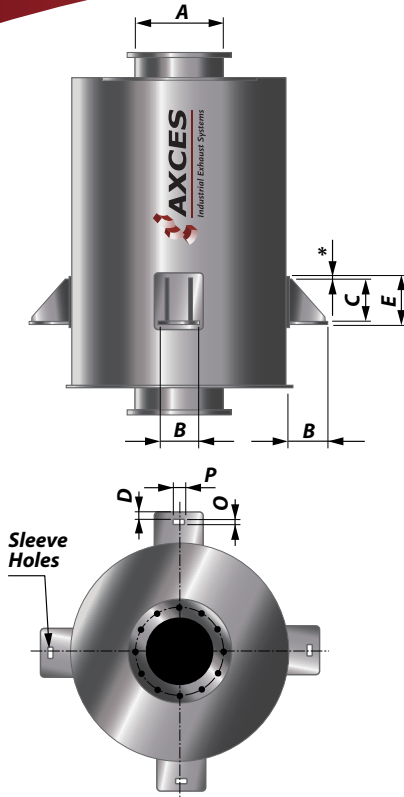
HORIZONTAL SUPPORTS



A (inch)	NB (mm)	Pipe (mm)	B (mm)	C (mm)	D (mm)	I (mm)	J (mm)	K (mm)	O x P
2	50	60.3	80	85	100	80	100	60	36 x 18
2.5	65	76.1	80	95	100	80	100	60	36 x 18
3	80	88.9	80	100	100	80	100	60	36 x 18
4	100	114.3	100	110	125	100	125	80	45 x 24
5	125	139.7	100	125	125	100	125	80	45 x 24
6	150	168.3	100	140	125	100	125	80	45 x 24
7	175	192.2	130	165	125	120	155	100	45 x 24
8	200	219.1	130	165	125	120	155	100	45 x 24
10	250	273.0	130	195	125	120	155	100	45 x 24
12	300	323.9	130	225	125	140	155	120	45 x 24
14	350	355.6	130	250	125	140	155	120	45 x 24
16	400	406.4	170	275	125	170	200	150	45 x 24
18	450	457.2	170	305	125	170	200	150	45 x 24
20	500	508.0	170	330	125	170	200	150	45 x 24



VERTICAL SUPPORTS



A (inch)	NB (mm)	Pipe (mm)	B (mm)	C (mm)	D (mm)	E (mm)	O x P
2	50	60.3	80	70	35	100	10 x 20
2.5	65	76.1	80	70	35	100	10 x 20
3	80	88.9	100	120	35	150	10 x 20
4	100	114.3	100	120	35	150	10 x 20
5	125	139.7	150	150	45	200	18 x 24
6	150	168.3	150	150	45	200	18 x 24
7	175	192.2	175	200	45	250	18 x 24
8	200	219.1	175	200	45	250	18 x 24
10	250	273.0	175	200	45	250	18 x 24
12	300	323.9	200	250	45	300	18 x 24
14	350	355.6	200	250	50	300	25 x 45
16	400	406.4	250	340	50	400	25 x 45
18	450	457.2	250	340	50	400	25 x 45
20	500	508.0	250	340	50	400	25 x 45

