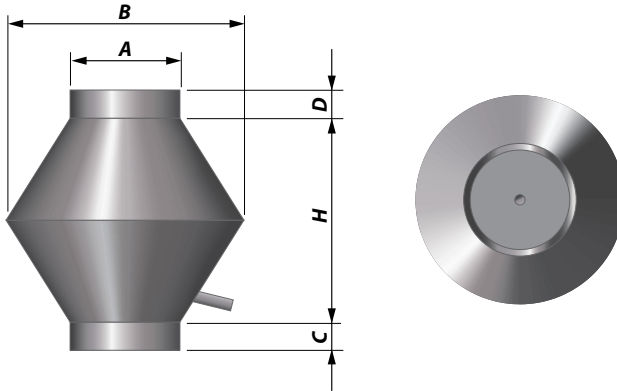




**RAIN
HOODS**



RAIN HOODS



Article No.	A Size (Inch)	NB (mm)	Pipe (mm)	B (mm)	C (mm)	D (mm)	H (mm)	Weight (kg)
221330000100	4	100	114.3	200	75	25	200	7
221330000125	5	125	139.7	250	75	25	250	8
221330000150	6	150	168.3	300	75	25	300	8
221330000200	8	200	219.1	400	75	50	400	13
221330000250	10	250	273.0	500	125	50	500	16
221330000300	12	300	323.9	600	125	50	600	23
221330000350	14	350	355.6	700	150	50	700	30
221330000400	16	400	406.4	800	150	50	800	55
221330000450	18	450	457.2	900	150	50	900	65
221330000500	20	500	508.0	1000	150	50	1000	85
221330000600	24	600	609.6	1200	150	50	1200	150
221330000700	28	700	711.2	1400	200	75	1400	200



CHARACTERISTICS

Material Rain Hood are produced out of stainless steel

Temperature Maximum allowable temperature is 600°C

Custom Made Axces Rain Hood are also manufactured based on specific dimensions or client's requirements