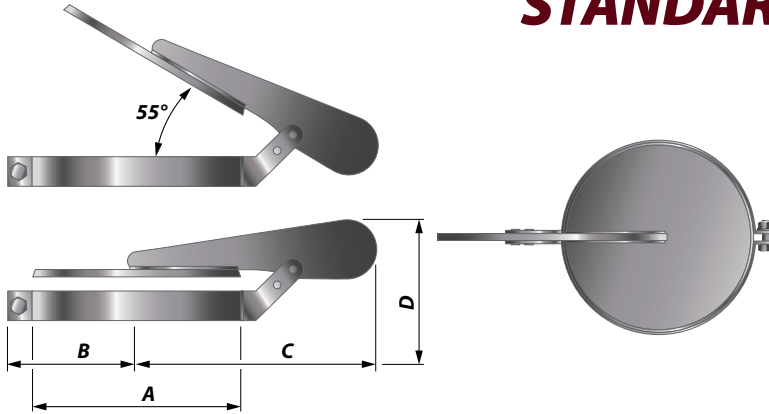




**RAIN
CAPS**



RAIN CAPS STANDARD



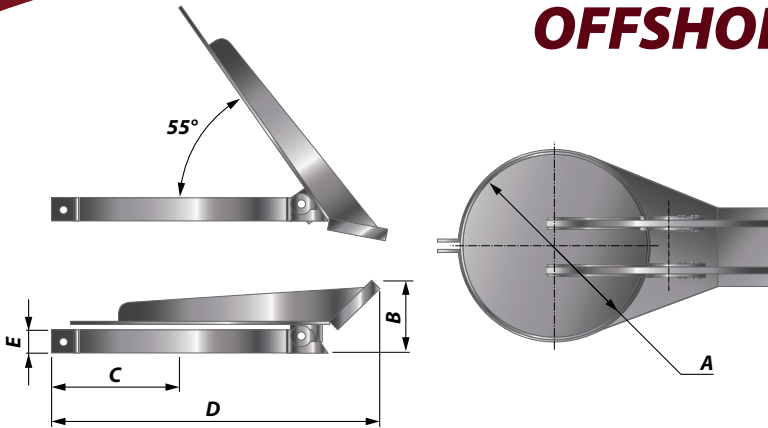
| Article No. | A Size (Inch) | NB (mm) | Pipe (mm) | B (mm) | C (mm) | D (mm) | Weight (kg) |
|--------------|---------------|---------|-----------|--------|--------|--------|-------------|
| 258001000004 | 1.5 | 40 | 48.3 | 62 | 138 | 82 | 1 |
| 258001000005 | 2 | 50 | 60.3 | 68 | 143 | 82 | 1 |
| 258001000006 | 2.5 | 65 | 76.1 | 76 | 151 | 82 | 1 |
| 258001000008 | 3 | 80 | 88.9 | 83 | 158 | 87 | 1 |
| 258001000010 | 4 | 100 | 114.3 | 95 | 170 | 87 | 1 |
| 258001000013 | 5 | 125 | 139.7 | 108 | 272 | 97 | 2 |
| 258001000015 | 6 | 150 | 168.3 | 123 | 297 | 97 | 2 |
| 258001000020 | 8 | 200 | 219.1 | 148 | 310 | 97 | 3 |
| 258001000025 | 10 | 250 | 273.0 | 174 | 345 | 97 | 3 |
| 258001000030 | 12 | 300 | 323.9 | 165 | 280 | 110 | 4 |
| 258001000035 | 14 | 350 | 355.6 | 180 | 290 | 125 | 4 |
| 258001000040 | 16 | 400 | 406.4 | 200 | 300 | 125 | 4 |
| 258001000045 | 18 | 450 | 457.2 | 200 | 300 | 125 | 4 |



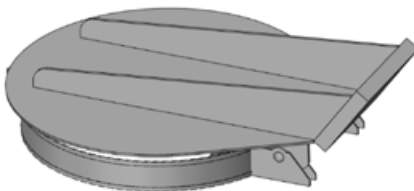
CHARACTERISTICS

- ✓ Stainless Steel
- ✓ Silent
- ✓ Balanced
- ✓ Maintenance Free
- ✓ Sustainable
- ✓ Easy to Install

RAIN CAPS OFFSHORE



| Article No. | A Size (Inch) | NB (mm) | Pipe (mm) | B (mm) | C (mm) | D (mm) | E (mm) | Weight (kg) |
|--------------|---------------|---------|-----------|--------|--------|--------|--------|-------------|
| 217102000015 | 1.5 | 40 | 48.3 | 82 | 65 | 72 | 30 | 2 |
| 217102000020 | 2 | 50 | 60.3 | 82 | 70 | 90 | 30 | 2 |
| 217102000025 | 2.5 | 65 | 76.1 | 82 | 78 | 114 | 30 | 2 |
| 217102000030 | 3 | 80 | 88.9 | 87 | 84 | 135 | 30 | 2 |
| 217102000040 | 4 | 100 | 114.3 | 87 | 95 | 170 | 30 | 2 |
| 217102000050 | 5 | 125 | 139.7 | 97 | 108 | 210 | 30 | 4 |
| 217102000060 | 6 | 150 | 168.3 | 97 | 123 | 250 | 30 | 4 |
| 217102000080 | 8 | 200 | 219.1 | 97 | 150 | 330 | 40 | 6 |
| 217102000100 | 10 | 250 | 273.0 | 97 | 176 | 410 | 40 | 6 |
| 217102000120 | 12 | 300 | 323.9 | 110 | 201 | 485 | 40 | 8 |
| 217102000140 | 14 | 350 | 355.6 | 125 | 220 | 560 | 40 | 8 |
| 217102000160 | 16 | 400 | 406.4 | 135 | 245 | 610 | 40 | 8 |
| 217102000180 | 18 | 450 | 457.2 | 150 | 270 | 685 | 40 | 8 |



CHARACTERISTICS

- ✓ Stainless Steel
- ✓ Silent
- ✓ Balanced
- ✓ Maintenance Free
- ✓ Sustainable
- ✓ Easy to Install

