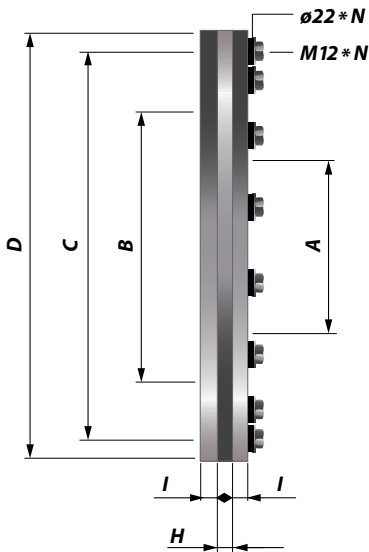




**HEAT
REDUCING
BULKHEADS**

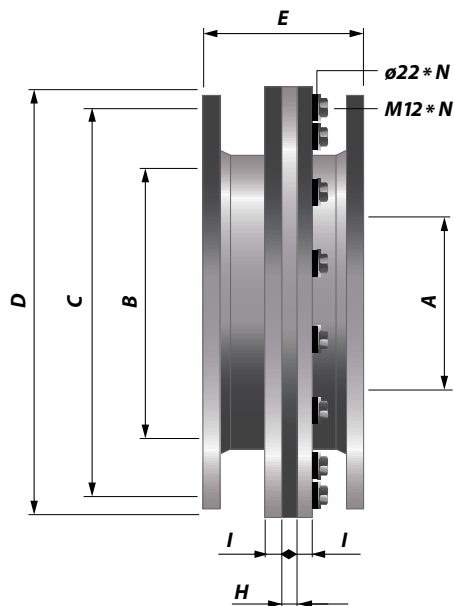


HEAT REDUCING BULKHEAD PENETRATION - I



Article No.	A Size (Inch)	NB (mm)	Pipe (mm)	B (mm)	C (mm)	D (mm)	ø22xN (mm)	M12xN (mm)	H (mm)	I (mm)
278420000020	2	50	60.3	171	240	285	Ø22x8	M12x8	15	16
278420000025	2.5	60	76.1	171	240	285	Ø22x8	M12x8	15	16
278420000030	3	80	88.9	171	240	285	Ø22x8	M12x8	15	16
278420000040	4	100	114.3	171	240	285	Ø22x8	M12x8	15	16
278420000050	5	125	139.7	196	270	315	Ø22x8	M12x8	15	16
278420000060	6	150	168.3	222	295	340	Ø22x8	M12x8	15	16
278420000070	7	175	193.7	276	350	95	Ø22x12	M12x12	15	16
278420000080	8	200	219.1	276	350	395	Ø22x12	M12x12	15	16
278420000100	10	250	273.0	327	395	440	Ø22x12	M12x12	20	16
278420000120	12	300	323.9	411	495	540	Ø22x16	M12x16	20	16
278420000140	14	350	355.6	411	495	540	Ø22x16	M12x16	20	16
278420000160	16	400	406.4	461	550	595	Ø22x16	M12x16	20	16
278420000180	18	450	457.0	512	600	645	Ø22x20	M12x20	20	16
278420000200	20	500	508.0	614	700	745	Ø22x20	M12x20	20	16

HEAT REDUCING BULKHEAD PENETRATION - II



Article No.	A Size (Inch)	NB (mm)	Pipe (mm)	B (mm)	C (mm)	D (mm)	E (mm)	Ø22 x N (mm)	M12 x N (mm)	H (mm)	I (mm)
278420000020	2	50	60.3	171	240	285	180	Ø22x8	M12x8	15	16
278420000025	2.5	60	76.1	171	240	285	180	Ø22x8	M12x8	15	16
278420000030	3	80	88.9	171	240	285	200	Ø22x8	M12x8	15	16
278420000040	4	100	114.3	171	240	285	200	Ø22x8	M12x8	15	16
278420000050	5	125	139.7	196	270	315	200	Ø22x8	M12x8	15	16
278420000060	6	150	168.3	222	295	340	200	Ø22x8	M12x8	15	16
278420000070	7	175	193.7	276	350	395	200	Ø22x12	M12x12	15	16
278420000080	8	200	219.1	276	350	395	200	Ø22x12	M12x12	15	16
278420000100	10	250	273.0	327	395	440	200	Ø22x12	M12x12	20	16
278420000120	12	300	323.9	411	495	540	200	Ø22x16	M12x16	20	16
278420000140	14	350	355.6	411	495	540	200	Ø22x16	M12x16	20	16
278420000160	16	400	406.4	461	550	595	200	Ø22x16	M12x16	20	16
278420000180	18	450	457.0	512	600	645	200	Ø22x20	M12x20	20	16
278420000200	20	500	508.0	614	700	745	200	Ø22x20	M12x20	20	16

HEAT REDUCING BULKHEADS