

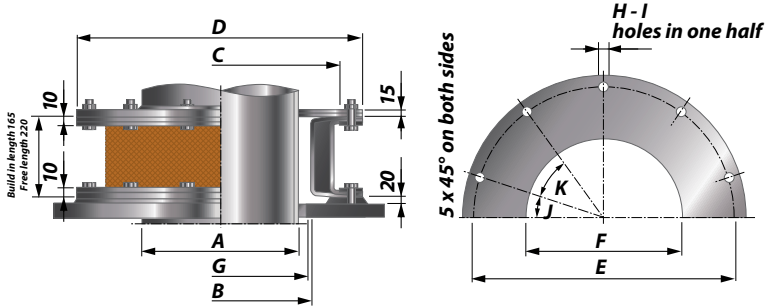
A photograph of an industrial machine, likely a fabric compensator, with a blue control panel featuring a screen and buttons. The machine is surrounded by metal structures and pipes. The background shows a complex industrial environment with various components and a metallic ceiling.

**FABRIC  
COMPENSATORS**



## TYPE AFC01

Flanged Fabric Compensators



Article No.	A Size (Inch)	NB (mm)	Pipe (mm)	B (mm)	C (mm)	D (mm)	E (mm)	F (mm)	G (mm)	H (mm)	I (mm)	J (mm)	K (mm)
351000000020	2	50	60.3	169	259	359	309	61	130	ø14	3	30°	2 x 60°
351000000025	2.5	65	76.1	169	259	359	309	77	130	ø14	3	30°	2 x 60°
351000000030	3	80	88.9	169	259	359	309	90	130	ø14	3	30°	2 x 60°
351000000040	4	100	114.3	195	285	385	335	116	155	ø14	3	30°	2 x 60°
351000000050	5	125	139.7	220	310	410	360	141	180	ø14	4	22.5°	3 x 45°
351000000060	6	150	168.3	248	338	438	388	170	210	ø14	4	22.5°	3 x 45°
351000000080	8	200	219.1	300	390	490	440	220	265	ø14	4	22.5°	3 x 45°
351000000100	10	250	273.0	353	443	543	493	274	315	ø14	4	22.5°	3 x 45°
351000000120	12	300	323.9	403	475	575	525	325	370	ø14	4	22.5°	3 x 45°
351000000140	14	350	355.6	435	520	620	570	357	400	ø14	5	18°	4 x 36°
351000000160	16	400	406.4	486	576	676	626	408	450	ø14	5	18°	4 x 36°
351000000180	18	450	457.2	537	620	720	670	459	510	ø14	5	18°	4 x 36°
351000000200	20	500	508.0	588	678	778	728	510	560	ø18	6	15°	5 x 30°

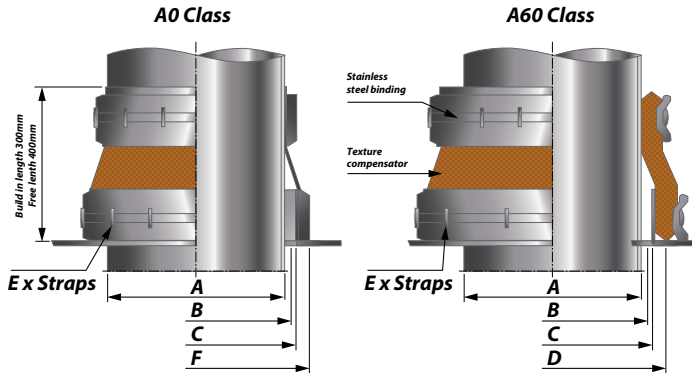


### CHARACTERISTICS

- ✓ Compensation of thermal and/ or mechanical movement
- ✓ In axial, lateral or angular direction.
- ✓ Isolation of vibration and heat as well as pipe work borne
- ✓ Sound transmission.
- ✓ Low reaction force due to movements.
- ✓ Separation of compartments.
- ✓ Compensation of pipework misalignment.
- ✓ LRoS type approval.

## TYPE ACC01

Clamped Fabric Compensators



Article No.	A Size (Inch)	NB (mm)	Pipe (mm)	B (mm)	C (mm)	D (mm)	E (mm)	F (mm)
361000000050	5	125	139.7	180	199	300	2	240
361000000060	6	150	168.3	210	231	330	2	270
361000000080	8	200	219.1	260	282	380	2	320
361000000100	10	250	273.0	315	336	435	2	375
361000000120	12	300	323.9	365	386	485	2	425
361000000140	14	350	355.6	395	418	520	2	460
361000000160	16	400	406.4	450	469	570	3	510
361000000180	18	450	457.2	500	521	620	3	560
361000000200	20	500	508.0	550	571	670	3	610



### CHARACTERISTICS

- ✓ Compensation of thermal and/or mechanical movement
- ✓ in axial, lateral or angular direction.
- ✓ Isolation of vibration and heat as well as pipe work borne
- ✓ sound transmission.
- ✓ Low reaction force due to movements.
- ✓ Separation of compartments.
- ✓ Compensation of pipework misalignment.
- ✓ LRoS type approval.

# ***AXCES FABRIC COMPENSATORS***